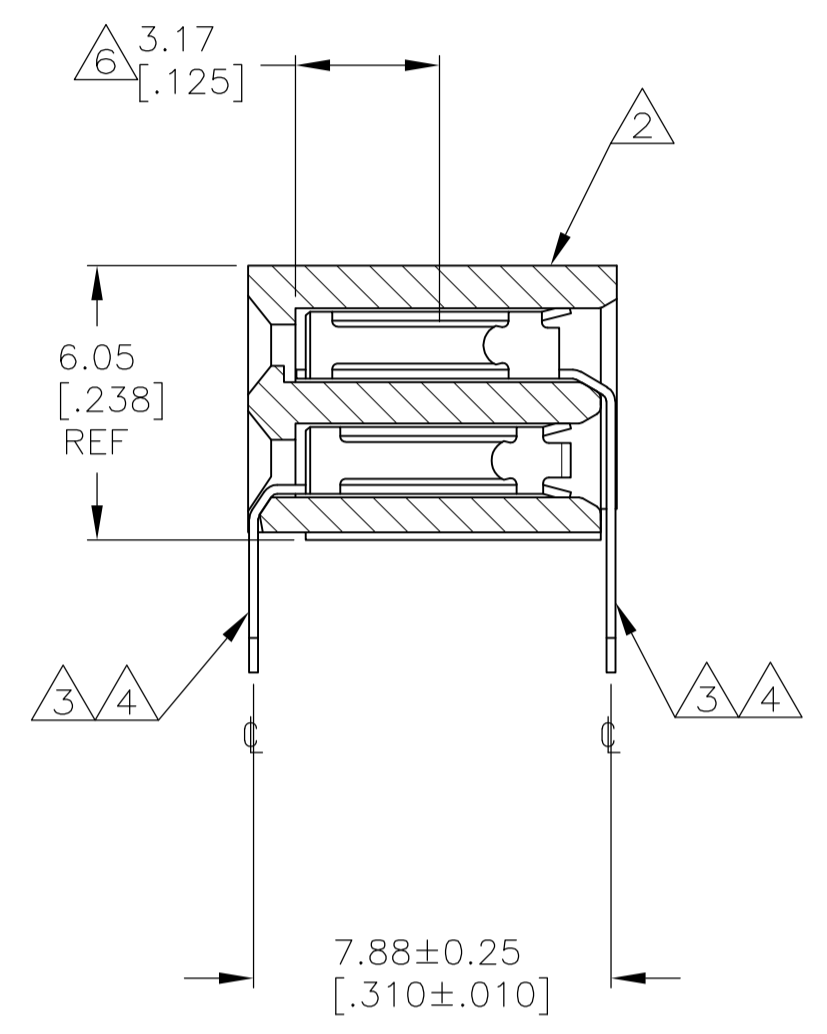


RECOMMENDED P.C. BOARD HOLE LAYOUT

- 1 "AMP", "CSA", "▼" AND "DATE CODE" WITH .062 ±.015 HIGH CHARACTERS WHERE SIZE PERMITS.
- 2 HOUSING: 1-70 POSITION SIZES MAY BE PPS, GLASS-FILLED OR PCT, GLASS-FILLED. POSITION SIZES GREATER THAN 70 WILL BE PPS, GLASS-FILLED.
- 3 CONTACT: PHOSPHOR BRONZE.
- 4 CONTACT FINISH: DUPLEX PLATED 0.00038 [.000015] GOLD IN CONTACT AREA, 0.00127-0.00254 [.000050-.000100] BRIGHT TIN-LEAD ON SOLDER TAILS, ALL OVER 0.00127 [.000050] NICKEL.
- 5 THESE DIMENSIONS PERTAIN TO CAVITY C'S ONLY, NOT TO CONTACT LOCATIONS.
- 6 POINT OF MEASUREMENT FOR PLATING THICKNESS (INSIDE CONTACT BEAMS).
- 7. CSA LOGO INK STAMPED WHITE ON HOUSING.
- 8 CONTACT FINISH: DUPLEX PLATED 0.00038 [.000015] GOLD IN CONTACT AREA, 0.00127-0.00254 [.000050-.000100] BRIGHT TIN ON SOLDER TAILS, ALL OVER 0.00127 [.000050] NICKEL.
- 9 SUPERSEDED BY 5-532955-1.
- 10 ROHS 2002/95/EC COMPLIANT

- 11 CONTACT FINISH: DUPLEX PLATED 0.00038 [.000015] GOLD IN CONTACT AREA, 0.00127-0.00254 [.000050-.000100] MATTE TIN ON SOLDER TAILS, ALL OVER 0.00127 [.000050] NICKEL.
- 12 RECESSED AREA AROUND MOLD GATE IS OPTIONAL. THIS FEATURE IS ALLOWABLE ON EITHER SIDE OF HOUSING OR MAY NOT BE PRESENT AT ALL.
- 13 OBSOLETE PARTS: OBSOLETE CIS STREAMLINING PER D.RENAUD/D.SINISI



13	19.25 [.758]	4	10	10	8-532955-1
	34.49 [1.358]	10	22	10	8-532955-0
	47.19 [1.858]	15	32	10	7-532955-9
	235.15 [9.258]	89	180	10	7-532955-8
	209.75 [8.258]	79	160	10	7-532955-7
	125.93 [4.958]	46	94	10	7-532955-6
	24.33 [.958]	6	14	10	7-532955-5
	62.43 [2.458]	21	44	10	7-532955-4
13	260.55 [10.258]	99	200	10	7-532955-3
	194.51 [7.658]	73	148	10	7-532955-2
	184.35 [7.258]	69	140	10	7-532955-1
	171.65 [6.758]	64	130	10	7-532955-0
13	169.11 [6.658]	63	128	10	6-532955-9
	158.95 [6.258]	59	120	10	6-532955-8
13	146.25 [5.758]	54	110	10	6-532955-7
	133.55 [5.258]	49	100	10	6-532955-6
13	128.47 [5.058]	47	96	10	6-532955-5
13	120.85 [4.758]	44	90	10	6-532955-4
13	113.23 [4.558]	42	86	10	6-532955-3
13	108.15 [4.258]	39	80	10	6-532955-2
13	97.99 [3.858]	35	72	10	6-532955-1
	95.45 [3.758]	34	70	10	6-532955-0
	82.75 [3.258]	29	60	10	5-532955-9
	70.05 [2.758]	24	50	10	5-532955-8
	57.35 [2.258]	19	40	10	5-532955-7
	52.27 [2.058]	17	36	10	5-532955-6
	44.65 [1.758]	14	30	10	5-532955-5
	37.03 [1.458]	11	24	10	5-532955-4
	31.95 [1.258]	9	20	10	5-532955-3
13	26.87 [1.058]	7	16	10	5-532955-2
	21.79 [.858]	5	12	10	5-532955-1
FINISH	B	A	NO OF POSN	PART NUMBER	

10	21.79 [.858]	5	12	3-532955-2	
	19.25 [.758]	4	10	3-532955-1	
	34.49 [1.358]	10	22	3-532955-0	
13	47.19 [1.858]	15	32	2-532955-9	
	235.15 [9.258]	89	180	2-532955-8	
	209.75 [8.258]	79	160	2-532955-7	
	125.93 [4.958]	46	94	2-532955-6	
	24.33 [.958]	6	14	2-532955-5	
	62.43 [2.458]	21	44	2-532955-4	
13	260.55 [10.258]	99	200	2-532955-3	
	194.51 [7.658]	73	148	2-532955-2	
	184.35 [7.258]	69	140	2-532955-1	
13	171.65 [6.758]	64	130	2-532955-0	
	169.11 [6.658]	63	128	1-532955-9	
	158.95 [6.258]	59	120	1-532955-8	
	146.25 [5.758]	54	110	1-532955-7	
	133.55 [5.258]	49	100	1-532955-6	
	128.47 [5.058]	47	96	1-532955-5	
13	120.85 [4.758]	44	90	1-532955-4	
13	113.23 [4.558]	42	86	1-532955-3	
	108.15 [4.258]	39	80	1-532955-2	
13	97.99 [3.858]	35	72	1-532955-1	
	95.45 [3.758]	34	70	1-532955-0	
	82.75 [3.258]	29	60	532955-9	
	70.05 [2.758]	24	50	532955-8	
	57.35 [2.258]	19	40	532955-7	
	52.27 [2.058]	17	36	532955-6	
	44.65 [1.758]	14	30	532955-5	
	37.03 [1.458]	11	24	532955-4	
	31.95 [1.258]	9	20	532955-3	
OBSOLETE	26.87 [1.058]	7	16	532955-2	
	21.79 [.858]	5	12	532955-1	
FINISH	B	A	NO OF POSN	PART NUMBER	

THIS DRAWING IS A CONTROLLED DOCUMENT. BIN K.L.CLOUSER/UTA 3/77/91
CHK D SARVER 05-14-91

STE TE Connectivity

RECEPTACLE ASSY, MOD II, DBL ROW, 2.54 X 2.54 [.100 X .100] CL, GUIDE PIN EARS, CLOSED ENTRY,

SIZE: A1 CAGE CODE: 00779 DRAWING NO: 532955 RESTRICTED TO: -

WEIGHT: - CUSTOMER DRAWING SCALE: 6:1 SHEET: 1 of 1 REV: T4